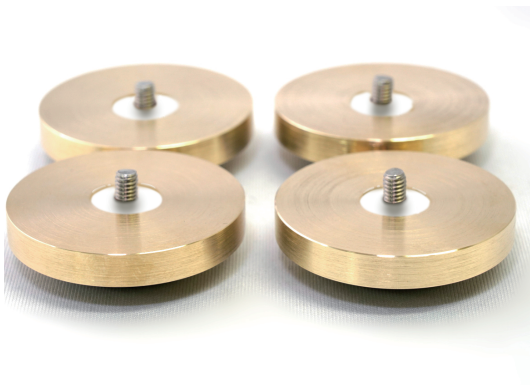


# Supporting base for audio amplifiers

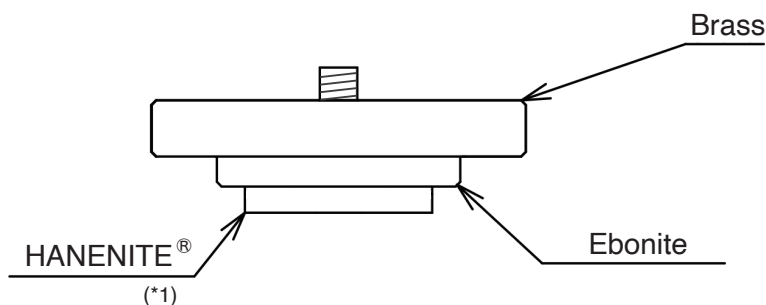
MEAM-AC-INS-01



## Features

- Originally designed supporting base pursuing pure sound
- Brass combined with 2 types rubber materials (Ebonite and HANENITE®) contribute to shut the outer vibration and to eliminate unnecessary incidental sound
- Heavy weighed base makes the audio equipment stable
- Best to upgrade your amplifier sound

## Specifications



Dimension(mm)	
Outer diameter	40
Height (exclude screw)	11
Height (include screw)	16.5
Screw diameter	4

Weight (g) per piece	49
Contents	4pc

## Application

### • Amplifiers

Elekit: TU8200R (\*2)/TU8550/TU8900/TU8500/TU8600S/TU8800

(\*2) To attach this product to Elekit TU8200R and other brands of amplifier, use the enclosed spacer if necessary.

Others: any amplifiers this product fits in.

(The metric screw is adopted. Not replaceable with inch screw.)

STEP-1: remove the existing supporting bases of your amplifier.

STEP-2: check if this product fits in place of the existing bases (screw diameter, length, outer diameter etc.)

### • Sample photos



TU8200R (with spacer)



TU8900



TU8550

(REMARKS)

(\*1) HANENITE® is a registered trademark of Naigai Rubber Industry Co., Ltd.

• Specifications are subject to change without prior notice.  
• ©2023 Amtrans Corporation. All rights reserved.

**Amtrans Corporation**

Bandai-Bld 2F, 2-10-14 Kanda-Awajicho, Chiyoda-ku, Tokyo, 101-0063, Japan  
Tel : 81-3-5294-0301 / Fax : 81-3-5294-0302  
[E-mail] audio@amtrans.co.jp [URL] www.amtrans.asia www.amtrans.co.jp

